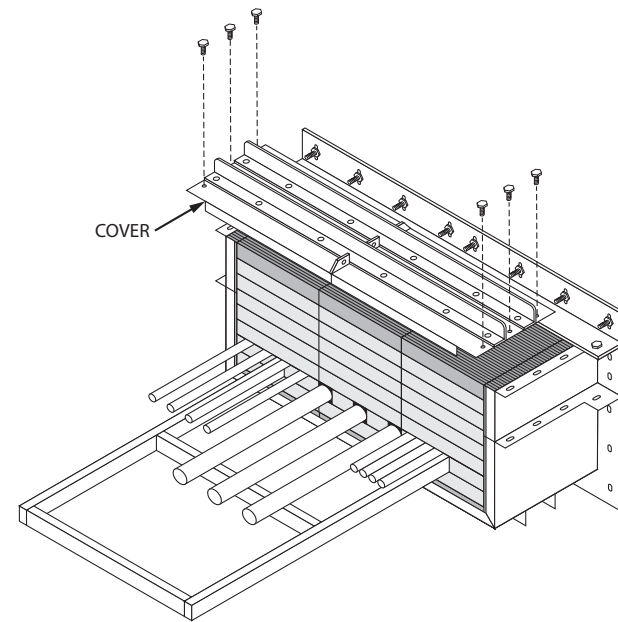


CSD-FSP Firestop Units for Multicable Penetrations

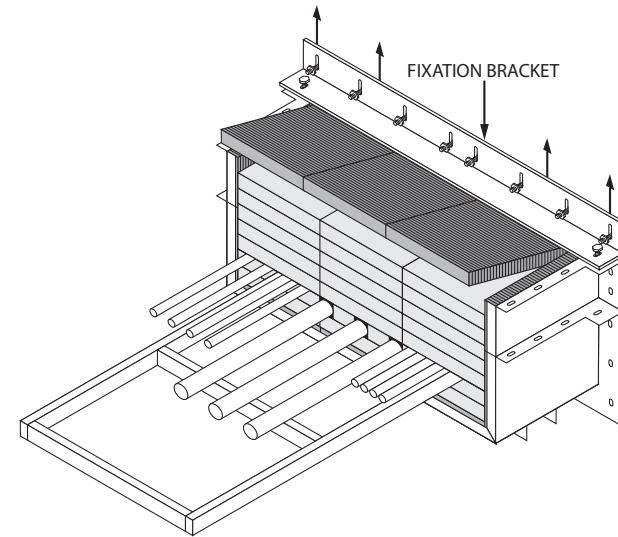


1-800-553-8779

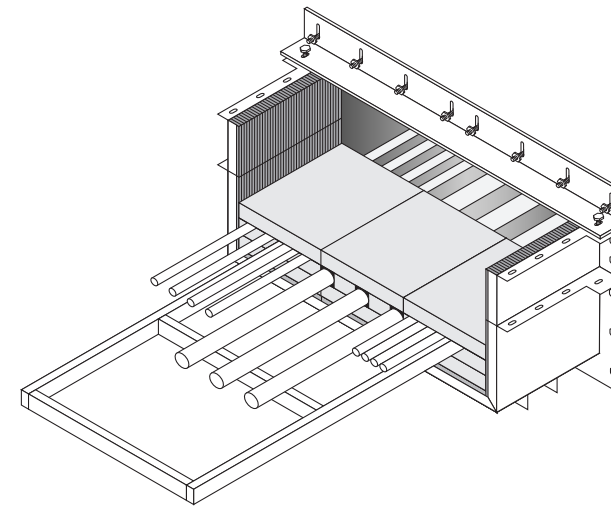
Step-by-step re-entry instructions, wall



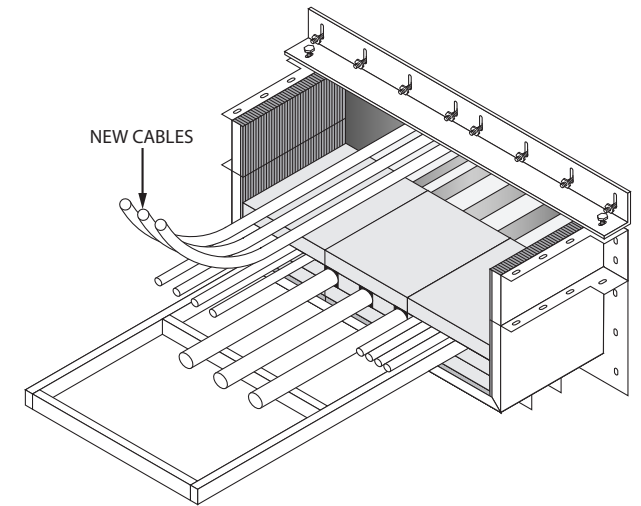
Step 1
Remove six bolts and top cover.



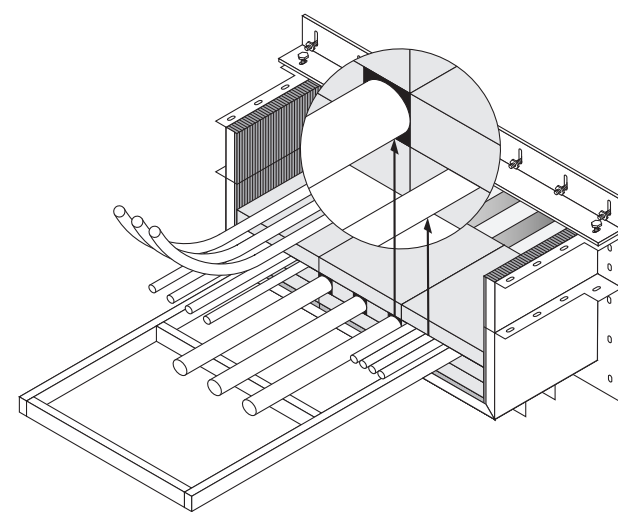
Step 2
Loosen nuts on fixation bracket and slide away from unit.



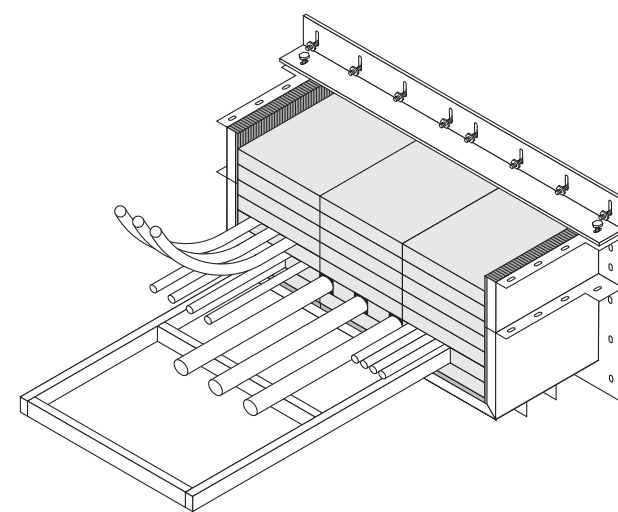
Step 3
Remove blue rubber inserts and yellow sponge pads up to existing cables. Remove sufficient amount of mineral wool fiber from wall cavity to accommodate cable addition.



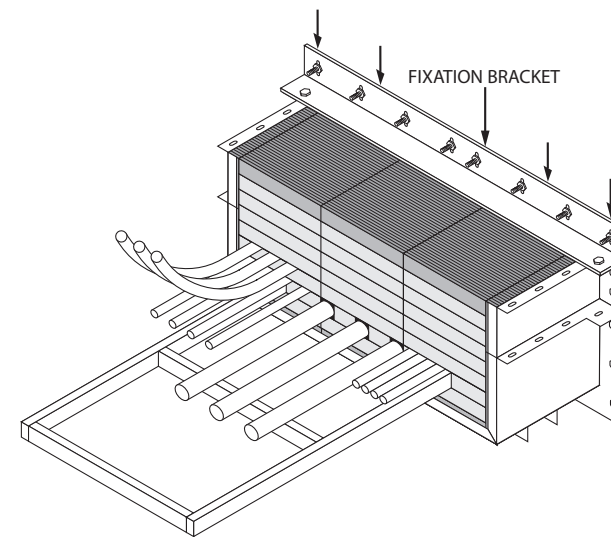
Step 4
Add new cable. Replace mineral fiber in wall cavity.



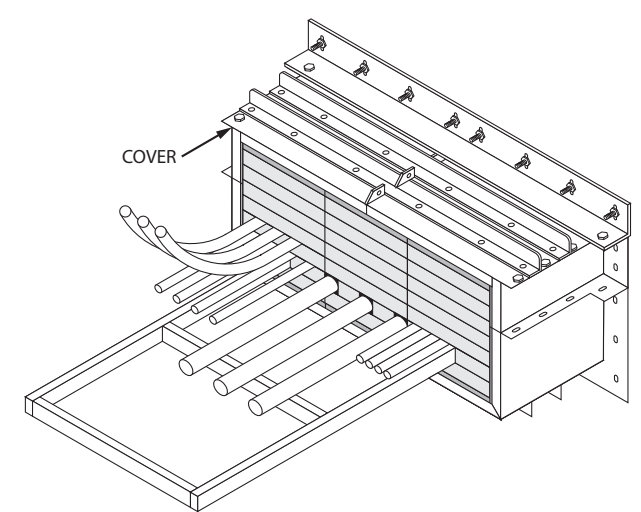
Step 5
If cable diameters are 3/4" or larger, cut yellow sponge and place between cables as shown. Sponge material will compress around smaller cables without cutting.



Step 6
Repack the unit with yellow sponge.



Step 7
Place blue rubber inserts on top of yellow sponges and under fixation bracket. Push the fixation bracket in place and secure to wall and unit.



Step 8
Position unit cover, compressing blue rubber and yellow sponges. Secure the cover to casing with six bolts.